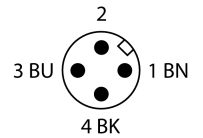
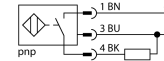


- Rectangular, height 40 mm
- Active face on top
- Plastic, PBT-GF30-V0
- Factor 1 for all metals
- Increased switching distance
- Protection class IP68
- Resistant to magnetic fields
- DC 3-wire, 10...30 VDC
- NO contact, PNP output
- M12 x 1 male connector

Wiring Diagram



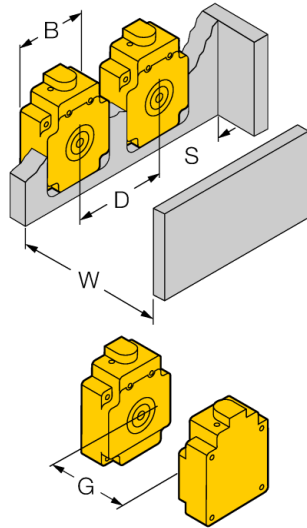
Functional principle

Inductive sensors detect metal objects contactless and wear-free. Due to the patented multi-coil system, *uprox*®+ sensors have distinct advantages over conventional sensors. They excel in largest switching distances, maximum flexibility and operational reliability as well as efficient standardization.

| | |
|---|---|
| Type designation | BI50U-Q80-AP6X2-H1141 |
| Ident-No. | 1608940 |
| Rated switching distance Sn | 50 mm |
| Mounting conditions | Flush |
| Secured operating distance | ≤ (0,81 x Sn) mm |
| Repeat accuracy | ≤ 2 % of full scale |
| Temperature drift | ≤ ± 10 % |
| Hysteresis | 1...15 % |
| Ambient temperature | -25...+70 °C |
| Operating voltage | 10...30 VDC |
| Residual ripple | ≤ 10 % U _{ss} |
| DC rated operational current | ≤ 200 mA |
| No-load current I ₀ | ≤ 15 mA |
| Residual current | ≤ 0.1 mA |
| Isolation test voltage | ≤ 0.5 kV |
| Short-circuit protection | yes/ Cyclic |
| Voltage drop at I ₀ | ≤ 1.8 V |
| Wire breakage/Reverse polarity protection | yes/ Complete |
| Output function | 3-wire, NO contact, PNP |
| Protection class | ☐ |
| Switching frequency | 0.25 kHz |
| Design | Rectangular, Q80 |
| Dimensions | 92 x 80 x 40 mm |
| Housing material | Plastic, PBT-GF30-V0, Yellow |
| Tightening torque fixing screw | 4 Nm |
| Electrical connection | Connector, M12 x 1 |
| Vibration resistance | 55 Hz (1 mm) |
| Shock resistance | 30 g (11 ms) |
| Protection class | IP68 |
| MTTF | 874 years acc. to SN 29500 (Ed. 99) 40 °C |
| Power-on indication | LED, Green |
| Switching state | LED, Yellow |

| | |
|------------|--------|
| Distance D | 240 mm |
| Distance W | 150 mm |
| Distance S | 80 mm |
| Distance G | 300 mm |

Width active area B 80 mm



Wiring accessories

| Type code | Ident-No. | Description | |
|-------------|-----------|--|--|
| RKC4T-2/TEL | 6625010 | Connection cable, female M12, straight, 3-pin, cable length: 2 m, sheath material: PVC, black; cULus approval; other cable lengths and qualities available, see www.turck.com | |